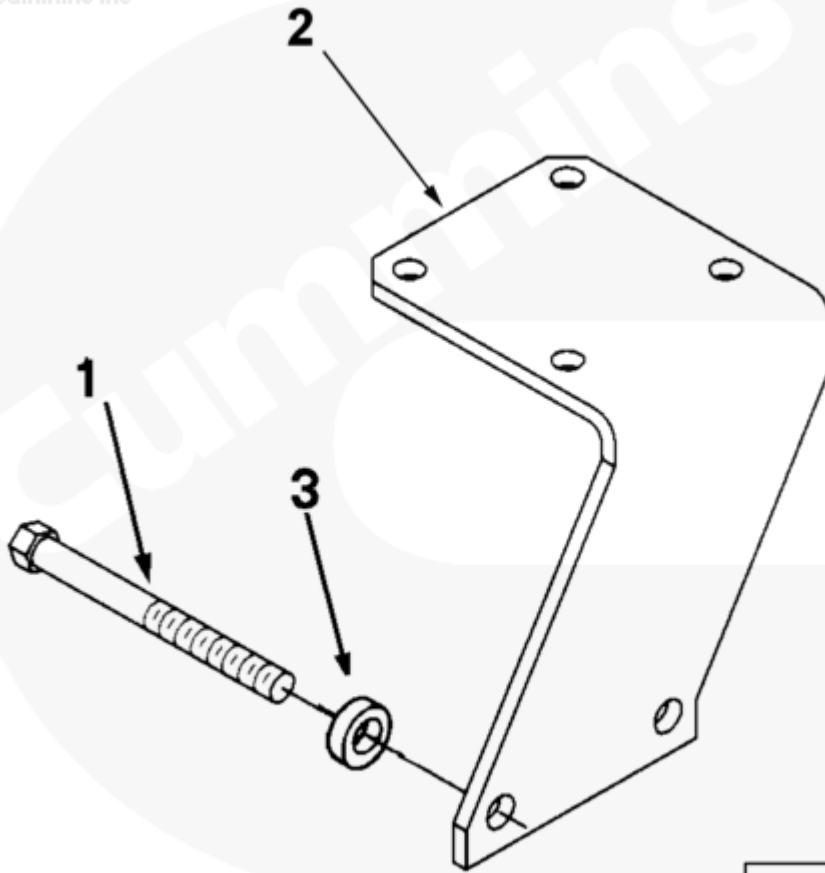




Parts Catalog - Option Detail

Electronic Parts Catalog - Option Detail				
Option	Group	Graphic	Film Card	Date
TB1792	08.08	tb111gb	F	13-JAN-98
Engines	NH/NT 855, NT495, NT743, NTA855 N106			

©Cummins Inc



tb111gb

[SMALL](#) | [MEDIUM](#) | [LARGE](#)

Cart	Ref No	Part Number	Part Description	Required	Remarks
View My Cart					
		TB1792	Corrosion Resistor Bracket		
					Corrosion Resistor Bracket
					For use when corrosion
					resistor is mounted on

					exhaust manifold. Contains
					wf bracket.
<input type="checkbox"/>	1	3046284	Hexagon Flange Head Cap Screw	2	7/16 - 14 X 4 1/2 Inch.
<input type="checkbox"/>	2	3060476	Corrosion Resistor Bracket	1	
<input type="checkbox"/>	3	3406713	Mounting Spacer	2	

© 2019 Cummins Inc., Box 3005, Columbus, IN 47202-3005 U.S.A.
Terms of Use and Disclaimers | Recommended System Requirements
Need Assistance? Please click on the Contact Us button in the top right corner of any page.